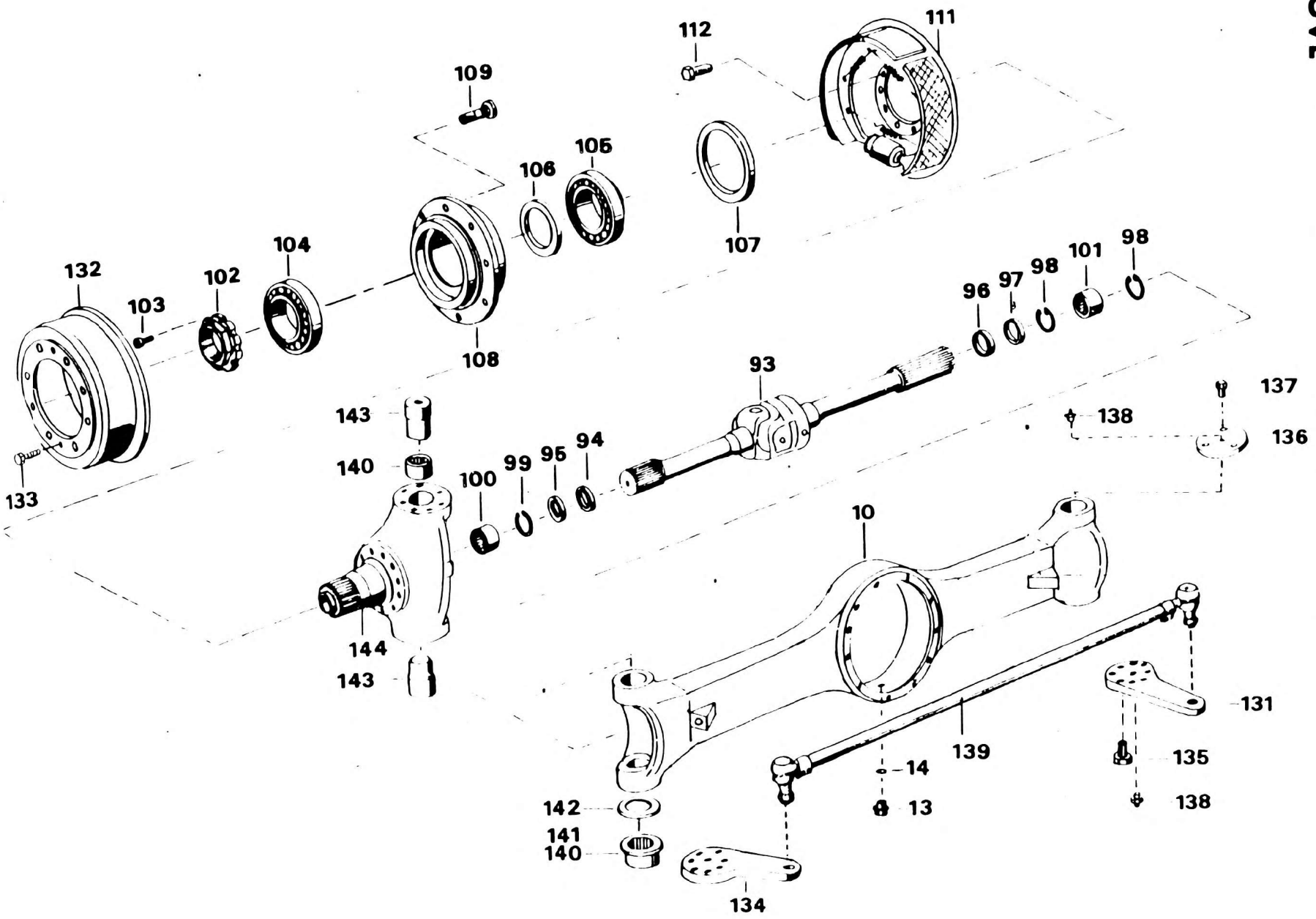


AXLE ASSEMBLY - FRONT

GROUE

DIFFERENTIAL PARTS

NO.	PART NO.	QTY	DESCRIPTION	NO.	PART NO.	QTY	DESCRIPTION
			COMPLETE ASSY				
20	9-049-107243	1	CAGE, DIFFERENTIAL				
21	9-049-107244	2	DISH				
22	9-049-107245	4	DISH				
23	9-049-107246	2	GEAR				
24	9-049-107247	4	PINION				
25	9-049-107248	1	SPIDER				
27	9-049-991841	2	BEARING				
28	9-049-107249	12	SCREW				
30	9-049-107250	16	SCREW				
31	9-049-107251	4	BUSHING				
33	9-049-107252	1	SLEEVE				
35	9-049-107253	1	FORK, SHIFTER				
36	9-049-107254	1	PISTON				
37	9-049-107255	2	DISH				
38	9-049-107027	1	O-RING				
39	9-049-107028	1	RING				
40	9-049-107256	1	SPRING				
41	9-049-107257	1	COVER				
42	9-049-991365	1	RING, GASKET				
45	9-049-107260	1	PINION + RING GEAR				
46	9-049-107261	1	RING, SEAL				
47	9-049-107262	1	RING, SEAL				
48	9-049-107263	1	BEARING,				
49	9-049-107264	1	BEARING				
50	9-049-107265	1	RING, SPACER				
58	9-049-107266	1	DISH				
59	9-049-991364	1	PLUG				
60	9-049-991365	1	RING, GASKET				
61	9-049-107267	1	HOUSING				
62	9-049-107268	2	BOLT				
63	9-049-107268	1	NUT, ADJUSTING				
64	9-049-107269	1	NUT, ADJUSTING				
65	9-049-991870	2	SCREW				
66	9-049-107270	2	PLATE, LOCK				
67	9-049-107271	10	SCREW				
68	9-049-107272	4	SCREW				
69	9-049-107464	1	FLANGE				
70	9-049-107465	1	NUT				
71	M#COSO484	6	Bolt				

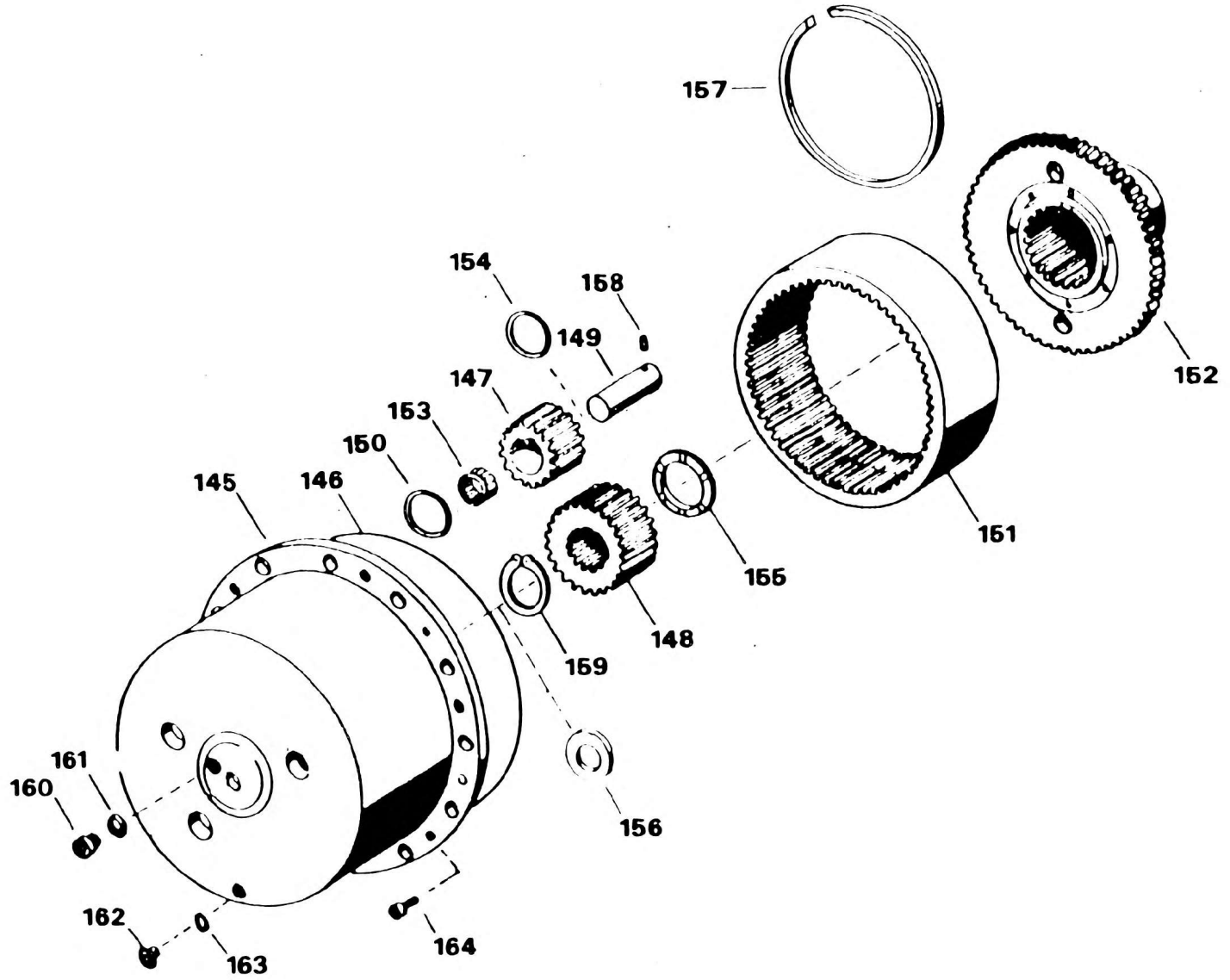


AXLE ASSEMBLY - FRONT

GROUE

U-JOINT AND WHEEL PARTS

NO.	PART NO.	QTY	DESCRIPTION	NO.	PART NO.	QTY	DESCRIPTION
10	9-049-107461	1	HOUSING				
13	9-049-107242	1	PLUG				
14	9-049-990922	1	GRSRET				
93	9-049-107273	2	SHAFT, UNIVERSAL JOINT				
94	9-049-107274	2	RING, SEAL				
95	9-049-107275	2	RING, SEAL				
96	9-049-107276	2	RING, SEAL				
97	9-049-107277	2	RING, SEAL				
98	9-049-107278	4	RING				
99	9-049-107279	2	CIRCLIP				
100	9-049-107280	2	BERRING				
101	9-049-107281	2	BERRING				
102	9-049-107282	2	NUT				
103	9-049-991238	2	SCREW				
104	9-049-107293	2	BERRING				
105	9-049-107284	2	BERRING				
106	9-049-107285	2	RING, OIL SEAL				
107	9-049-107286	2	RING, OIL SEAL				
108	9-049-107287	2	HUB, WHEEL				
109	9-049-991225	20	STUD				
111	9-049-107326	2	BRNHE				
112	9-049-107327	32	SCREW				
131	9-049-107305	1	LEVER, STEERING				
132	9-049-107303	2	DRUM, BRAKE				
133	9-049-991756	4	SCREW				
134	9-049-107330	1	LEVER, STEERING				
135	9-049-990983	12	BOLT				
136	9-049-107306	2	COVER				
137	9-049-991244	6	SCREW				
138	9-049-991916	4	HIPPLE, GREASE				
139	9-049-107307	1	END, TRACH				
140	9-049-107308	4	BUSHING				
141	9-049-107309	2	DISH				
142	9-049-107310	2	WASHER				
143	9-049-107311	4	BOLT				
144	9-049-107312	2	RNUSCLE, STEERING				



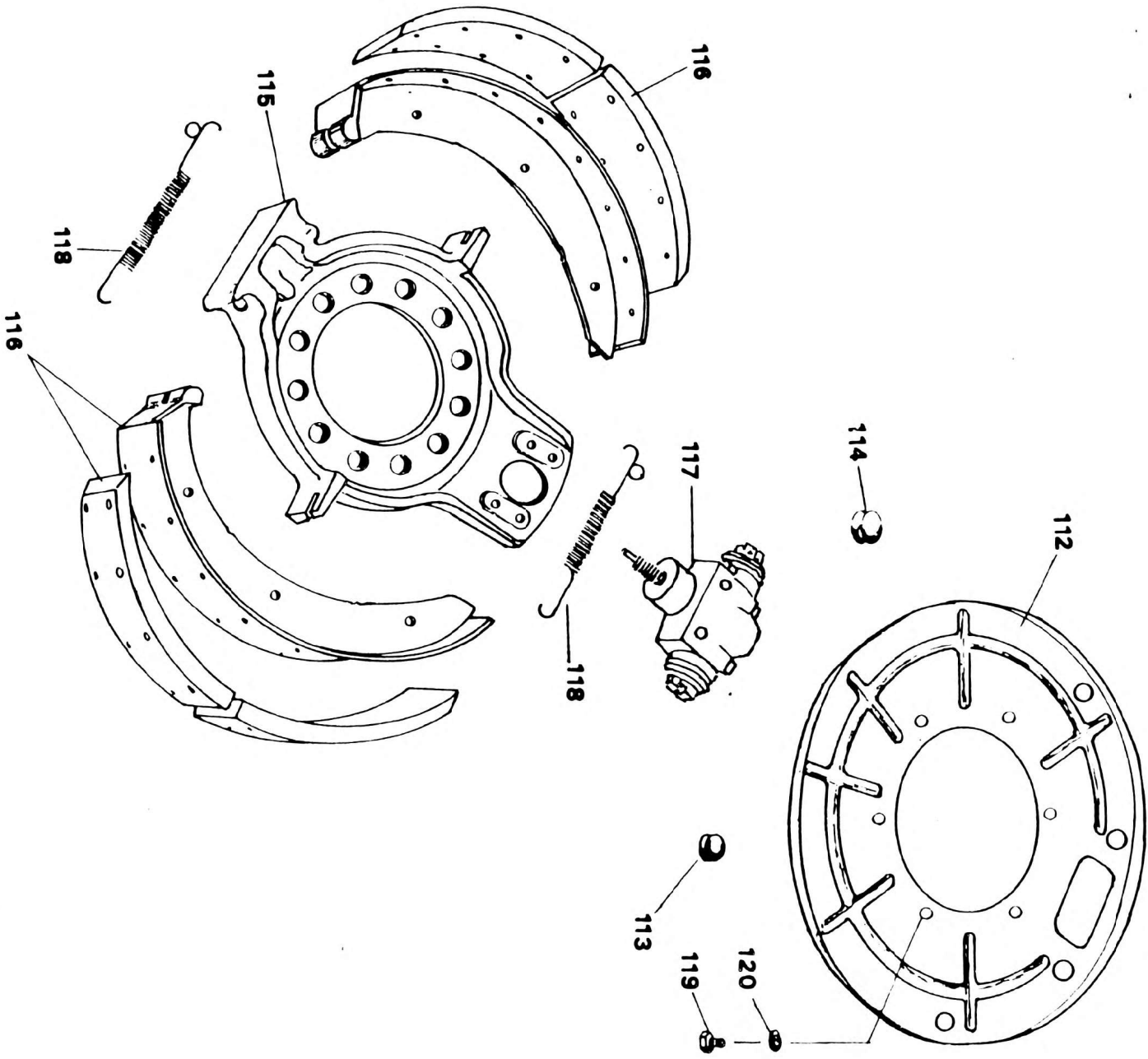
AXLE ASSEMBLY - FRONT

GROUE

PLANETARY GEAR PARTS

NO.	PART NO.	QTY	DESCRIPTION	NO.	PART NO.	QTY	DESCRIPTION
145	9-049-107313	2	HOUSING, PLANETARY				
146	9-049-991246	2	0-RING				
147	9-049-107315	6	PINION, PLANETARY				
148	9-049-107316	2	GEAR, SUN				
149	9-049-991053	6	PIN, PLANETARY				
150	9-049-107317	6	0-RING				
151	9-049-107318	2	GEAR				
152	9-049-107319	2	CARRIER				
153	9-049-107320	18	CAGE, NEEDLE				
154	9-049-991056	12	DISH				
155	9-049-107321	2	RING, THRUST				
156	9-049-107322	2	WASHER, THRUST				
157	9-049-107323	2	RING, SHAP				
158	9-049-991890	6	PIN				
159	9-049-107324	2	CIRCLIP				
160	9-049-990985	2	PLUG				
161	9-049-990923	2	GASNET				
162	9-049-990974	2	PLUG				
163	9-049-990922	2	GASNET				
164	9-049-991239	12	SCREEN				

QUANTITIES SHOWN IN THIS
GROUP ARE FOR BOTH SIDES
OF AXLE



AXLE ASSEMBLY - FRONT

GROUE

BRAKE PARTS

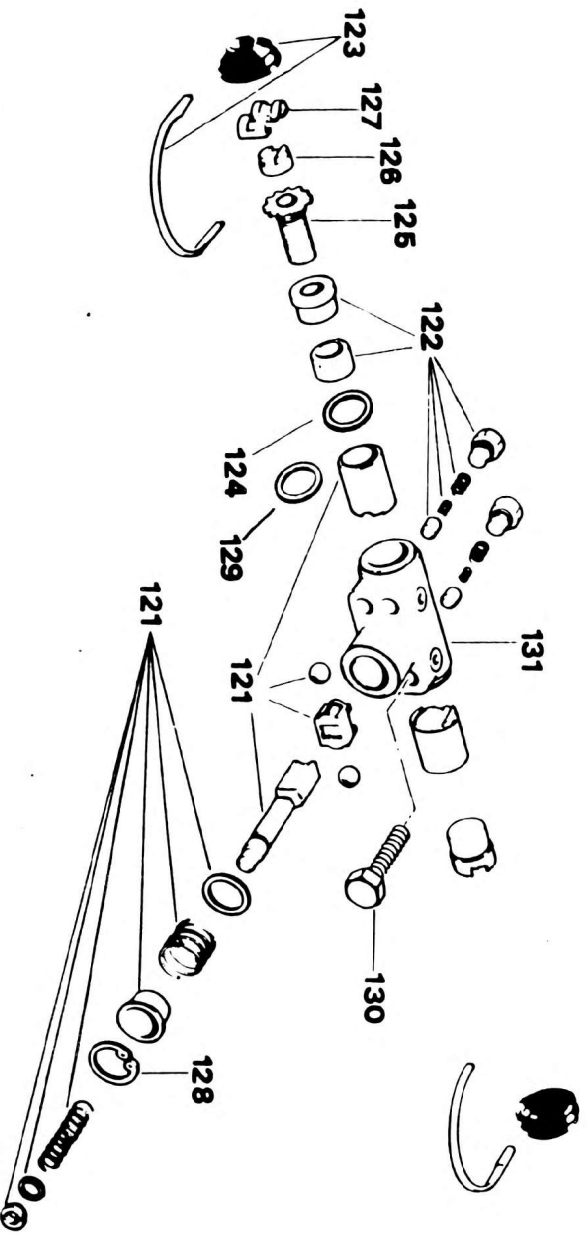
NO.	PART NO.	QTY	DESCRIPTION	NO.	PART NO.	QTY	DESCRIPTION
112	9-049-107328	2	PLATE, COVER				
113	9-049-991027	4	PLUG				
114	9-049-991026	4	PLUG				
115	9-049-107329	2	SPIDER, BRAKE				
116	9-049-991252	4	BRAKE SHOE W/LINDING				
117	9-049-991008	2	MECHANISM OF INCLINATION SEE FURTHER BREAKDOWN IN THIS PARTS LIST (EXPANDER UNIT)				
118	9-049-991255	4	SPRING				
119	9-049-991840	12	WASHER				
120	9-049-107294	12	RING, SPRING				

QUANTITIES SHOWN IN THIS
GROUP ARE FOR BOTH SIDES
OF AXLE

AXLE ASSEMBLY - FRONT

EXPANDER UNIT

GRUPE



NO.	PART NO.	QTY	DESCRIPTION	NO.	PART NO.	QTY	DESCRIPTION
	9-049-991008		COMPLETE ASSY				
121	9-049-991010	1	WEDGE SET				
122	9-049-991011	1	ADJUSTMENT SET				
123	9-049-991009	1	SEAL SET				
124	9-049-107400	4	SPRING				
125	9-049-991025	4	SCREW				
126	9-049-991013	4	PIECE, THRUST				
127	9-049-991018	4	SPRING, PLATE				
128	9-049-107044	2	RING, SNAP				
129	9-049-107398	4	DISH				
130	9-049-991030	8	SCREW				
131	NOT SERVICED	1	BODY				